

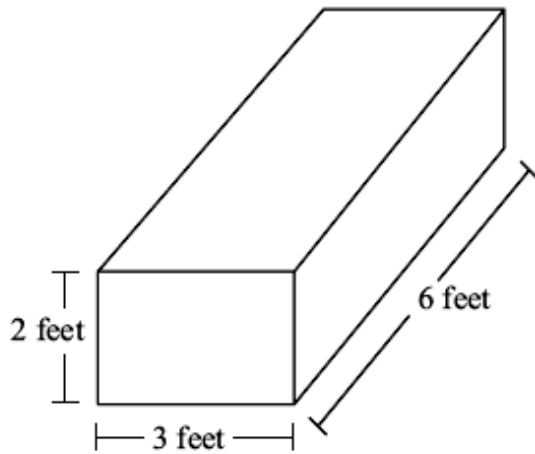
Notes on Volume

Name: _____

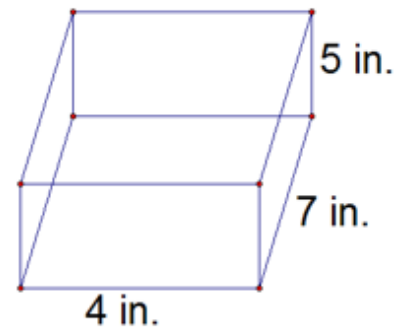
7th Grade Math

Evaluating volume of a rectangular prism.

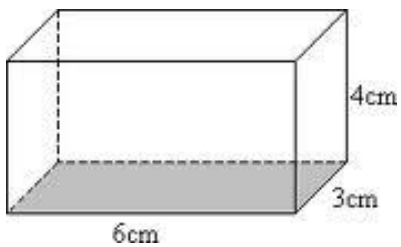
1.



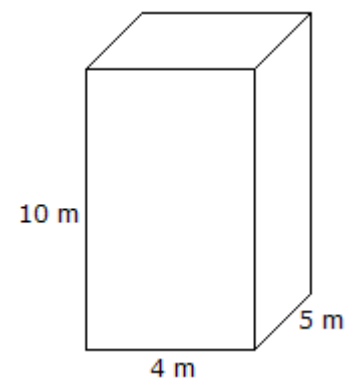
2.



3.

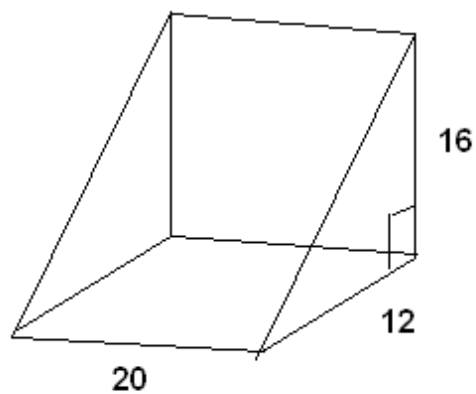


4.

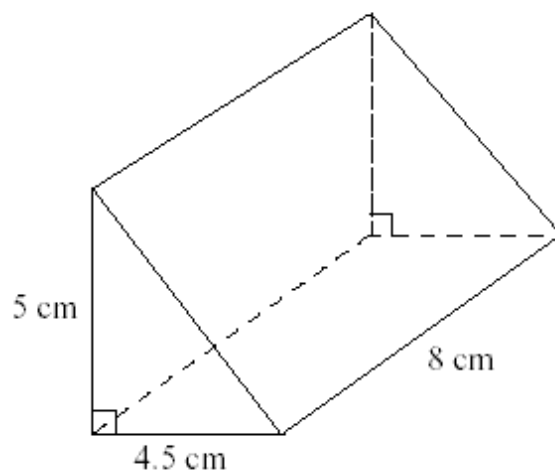


Evaluating volume of a triangular prism.

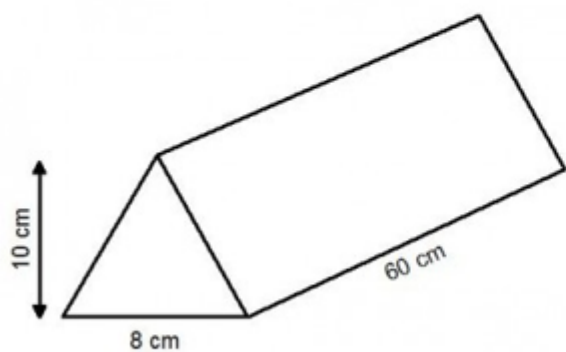
1.



2.



3.



4.

