

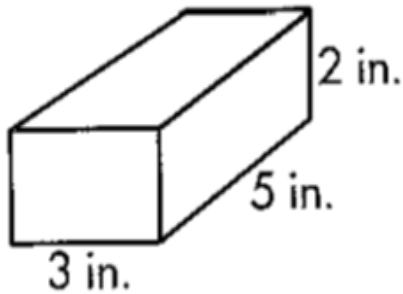
# Volume of Rectangular Prisms

7<sup>th</sup> Grade Math

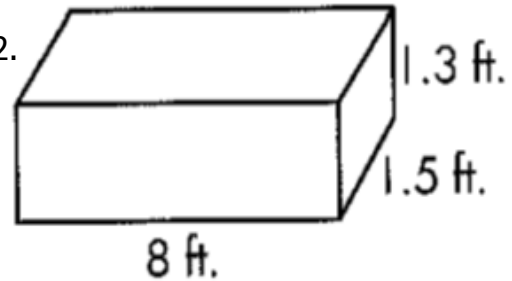
Name: \_\_\_\_\_

Evaluate the volume of the rectangular prisms. Show your work and make sure your answers include units.

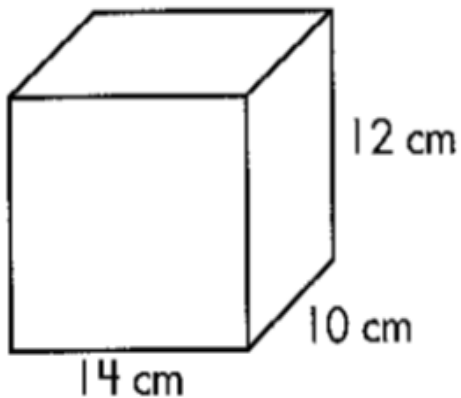
1.



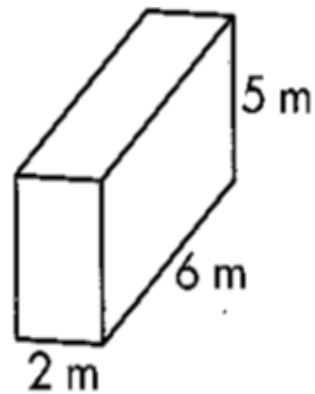
2.



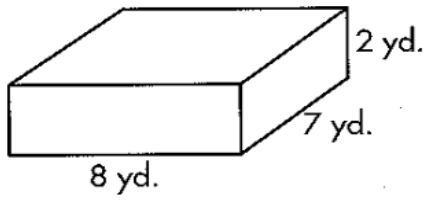
3.



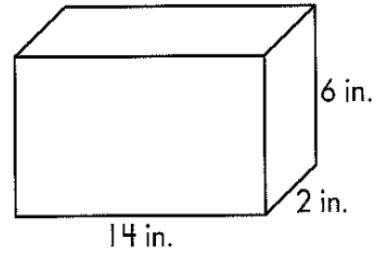
4.



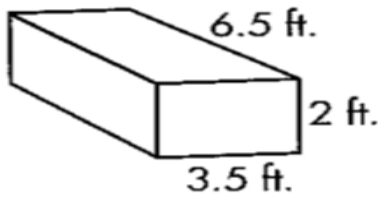
5.



6.



7.



8.

