

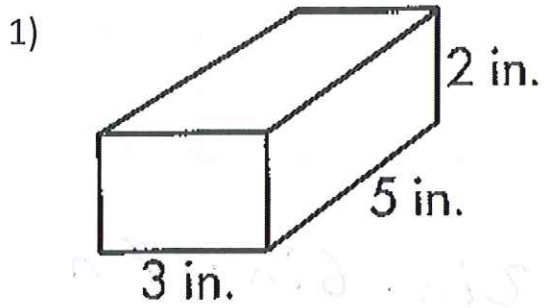
Volume of Rectangular Prisms

Name: key

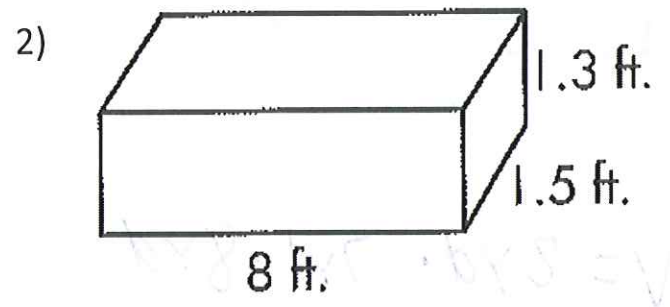
7th Grade Math

$$V = l \cdot w \cdot h$$

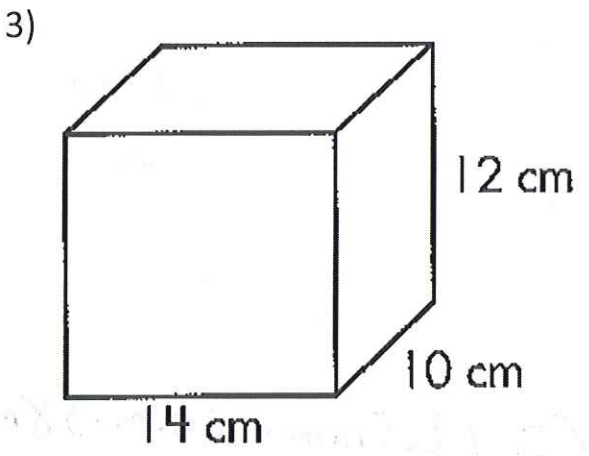
Find the volume of the following prisms. Show your work and make sure your answers include units.



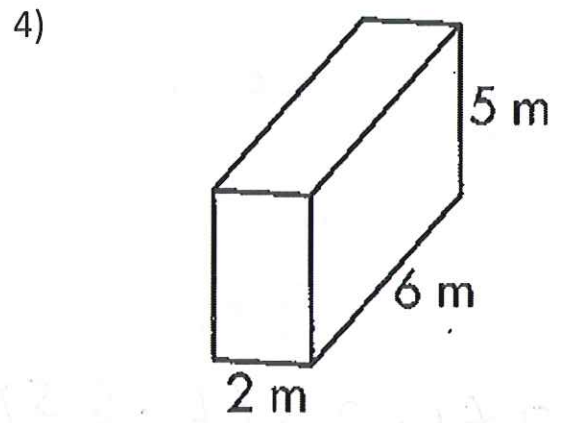
$$V = 2 \text{ in.} \cdot 3 \text{ in.} \cdot 5 \text{ in.}$$
$$V = 30 \text{ in}^3$$



$$V = 1.3 \text{ ft.} \cdot 1.5 \text{ ft.} \cdot 8 \text{ ft.}$$
$$V = 15.6 \text{ ft}^3$$

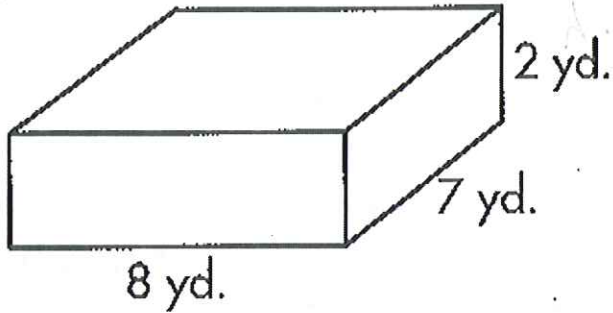


$$V = 10 \text{ cm} \cdot 12 \text{ cm} \cdot 14 \text{ cm}$$
$$V = 1,680 \text{ cm}^3$$



$$V = 2 \text{ m} \cdot 5 \text{ m} \cdot 6 \text{ m}$$
$$V = 60 \text{ m}^3$$

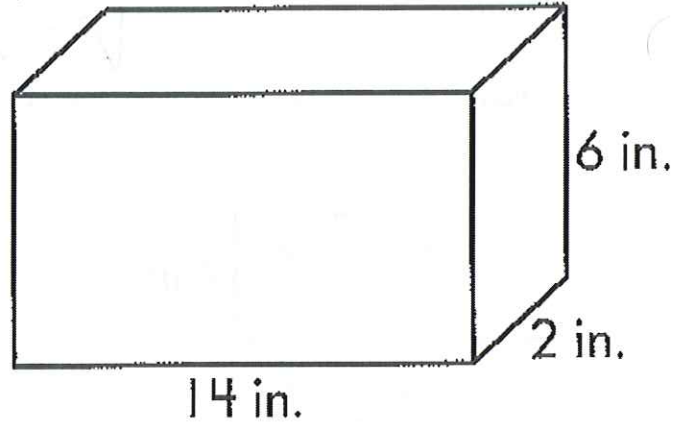
5)



$$V = 2 \text{ yd.} \cdot 7 \text{ yd.} \cdot 8 \text{ yd.}$$

$$V = 112 \text{ yds}^3$$

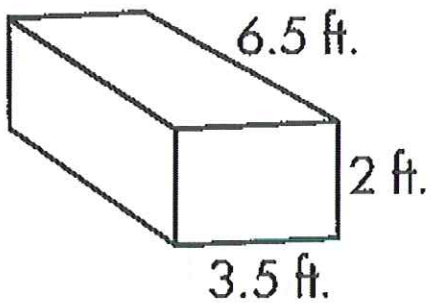
6)



$$V = 2 \text{ in.} \cdot 6 \text{ in.} \cdot 14 \text{ in.}$$

$$V = 168 \text{ in}^3$$

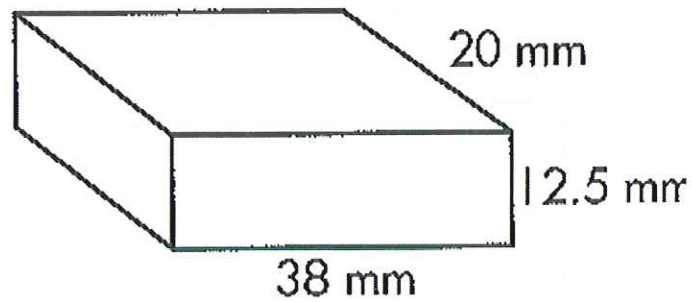
7)



$$V = 2 \text{ ft.} \cdot 3.5 \text{ ft.} \cdot 6.5 \text{ ft.}$$

$$V = 45.5 \text{ ft}^3$$

8)



$$V = 12.5 \text{ mm} \cdot 20 \text{ mm} \cdot 38 \text{ mm}$$

$$V = 9,500 \text{ mm}^3$$