

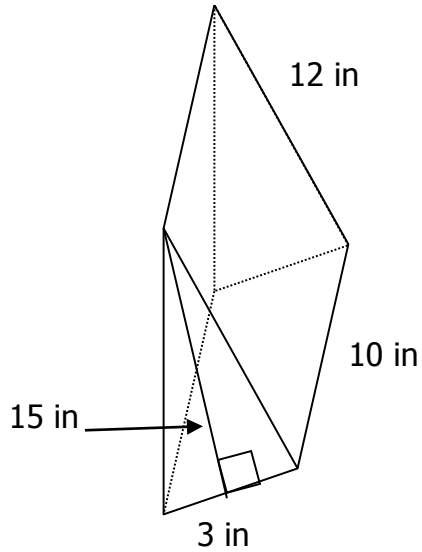
# Volume of Triangular Prisms

Name: \_\_\_\_\_

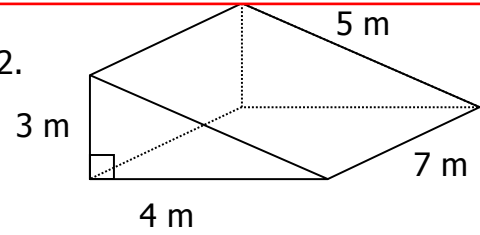
7th Grade Math

Evaluate the volume of the following prisms. Show your work and make your answers include units.

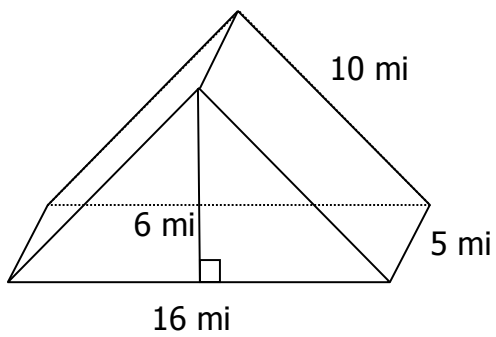
1.



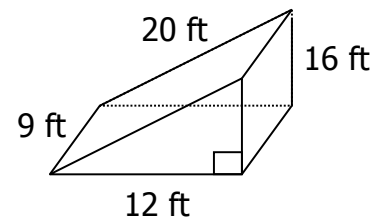
2.



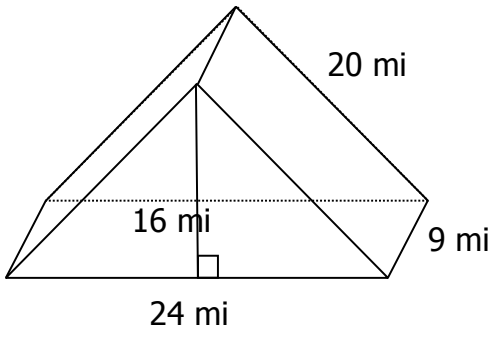
3.



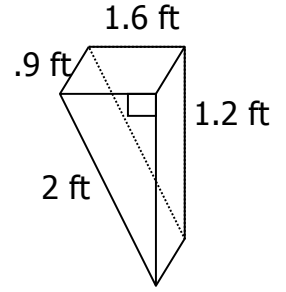
4.



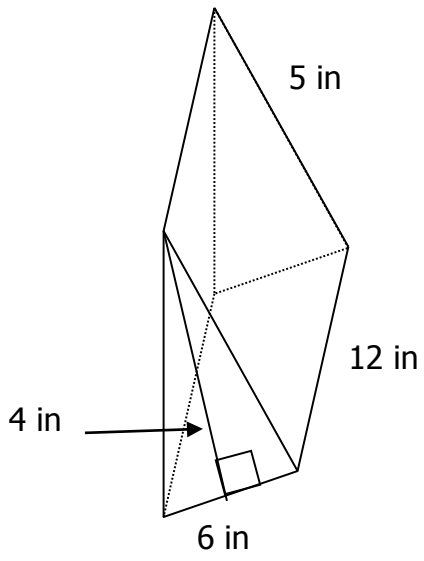
5.



6.



7.



8.

