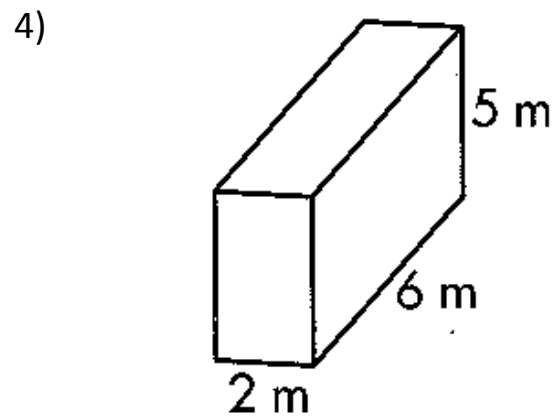
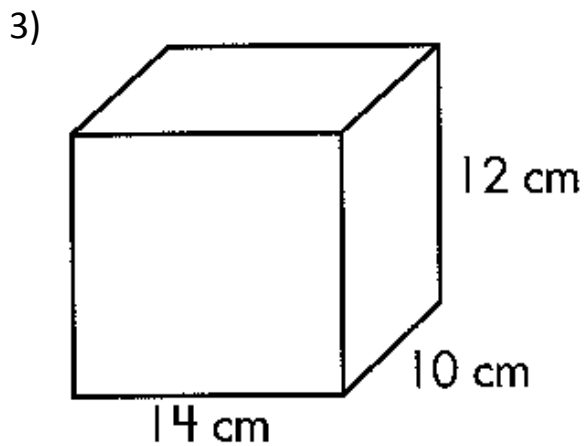
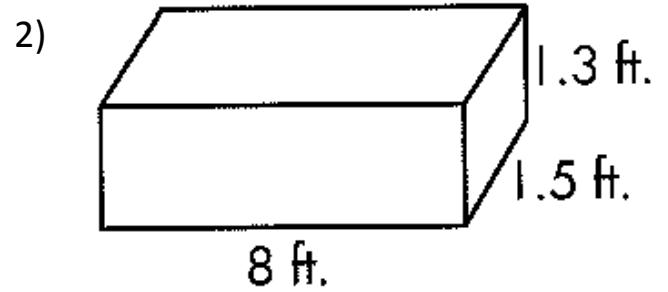
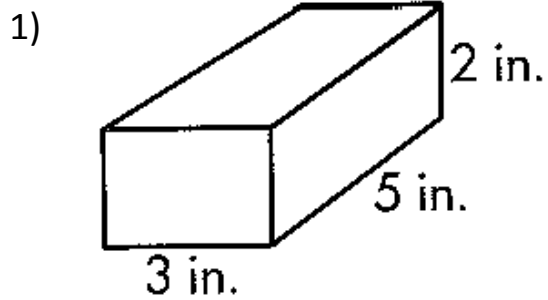


Surface Area of Rectangular Prisms

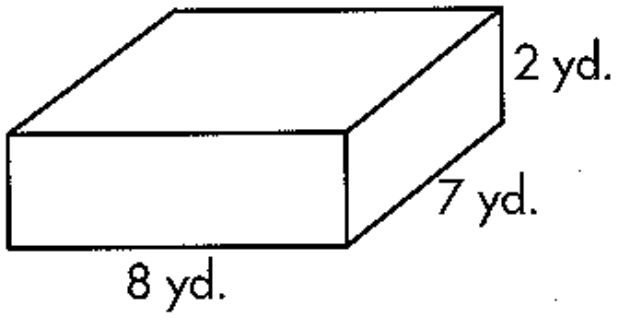
Name: _____

7th Grade Math

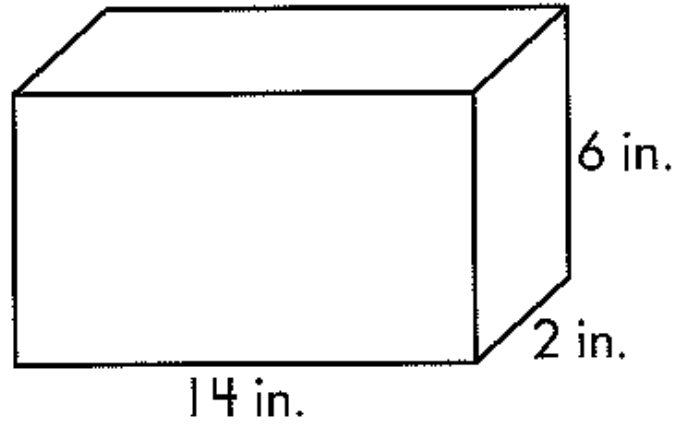
Evaluate the surface area of the following prisms. Show your work and make sure your answers include units.



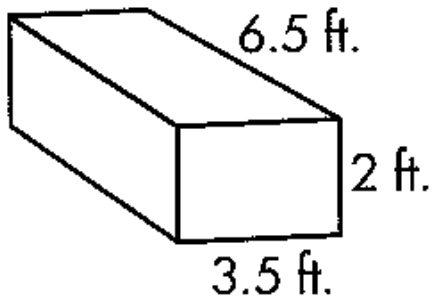
5)



6)



7)



8)

