

# NOTES

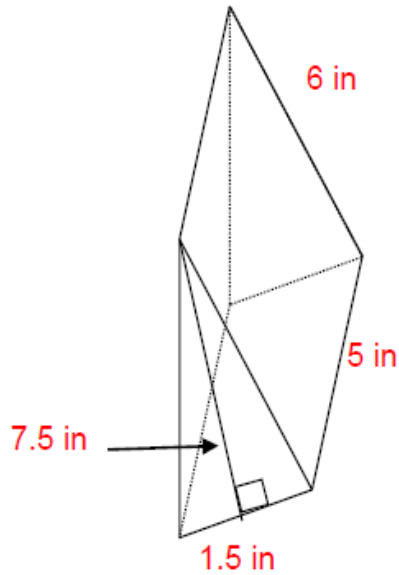
## Surface Area of Triangular Prisms

7th Grade Math

Name: \_\_\_\_\_

Evaluate the surface area of the triangular prisms. Show your work and make sure your answers include units.

1.



2.

