

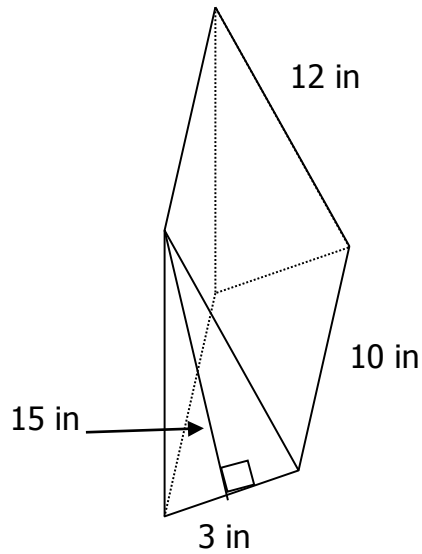
Surface Area of Triangular Prisms

7th Grade Math

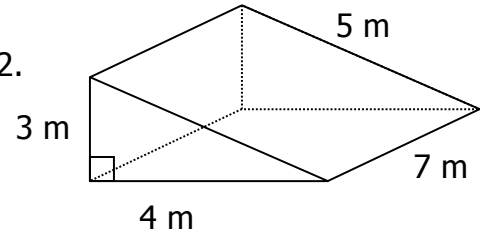
Name: _____

Evaluate the surface area of the triangular prisms. Show your work and make sure your answers include units.

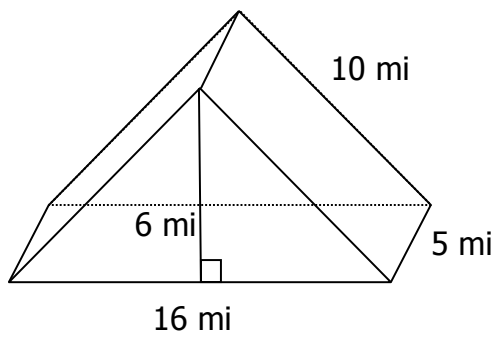
1.



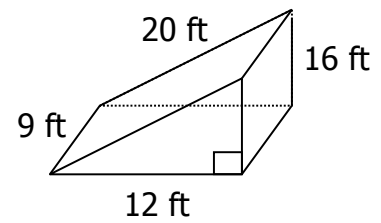
2.



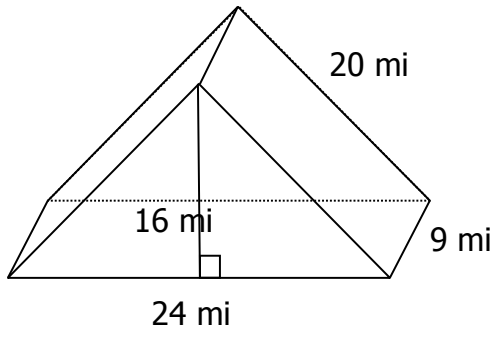
3.



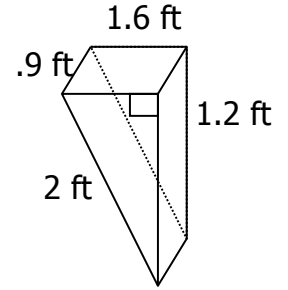
4.



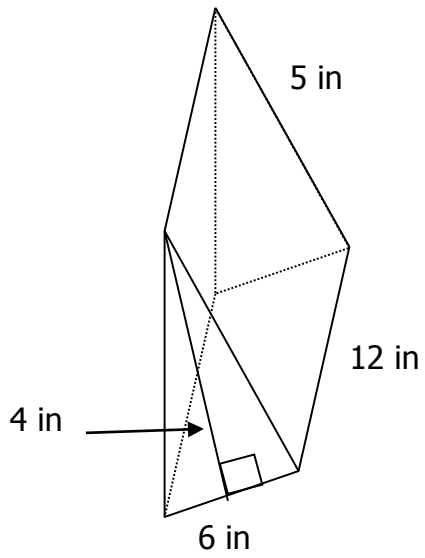
5.



6.



7.



8.

