

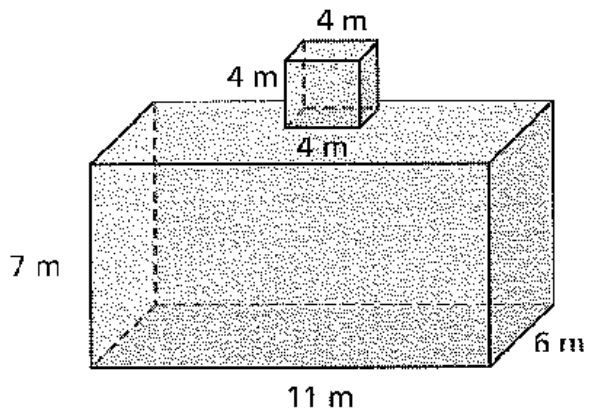
Complex Figures

Name: _____

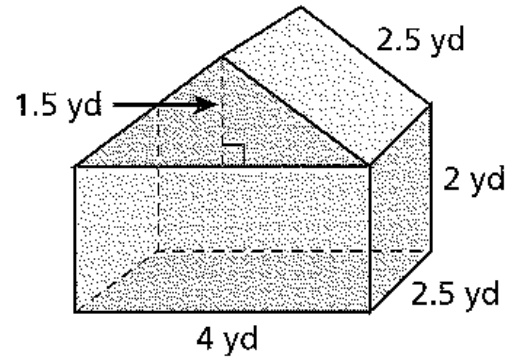
7th Grade Math

Evaluate the surface area of each figure.

1.



2.



3.

