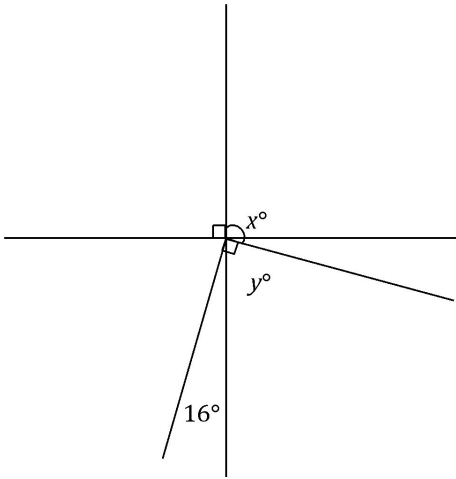


Finding the Missing Angle Measures

NAME _____

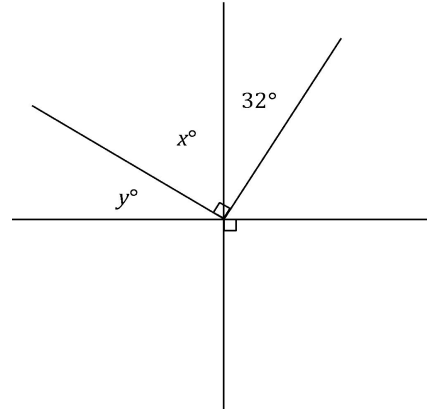
Find the missing angle measures in each picture.

1.



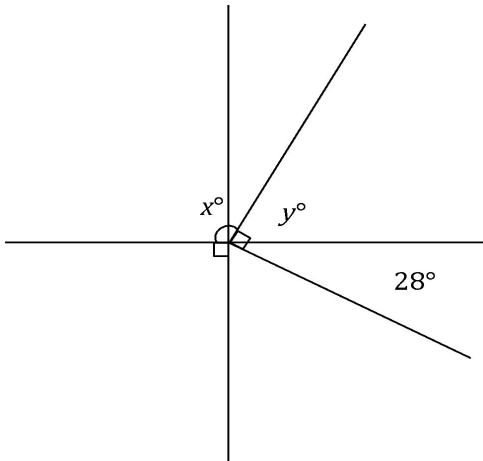
$x = \underline{\hspace{2cm}}$ $y = \underline{\hspace{2cm}}$

2.



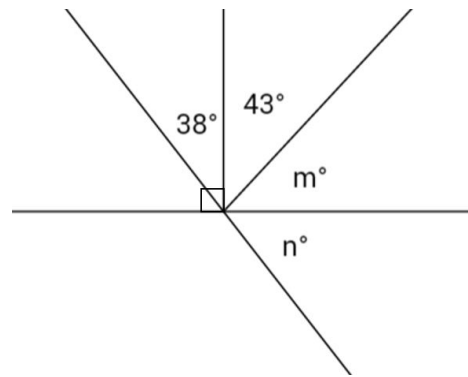
$x = \underline{\hspace{2cm}}$ $y = \underline{\hspace{2cm}}$

3.



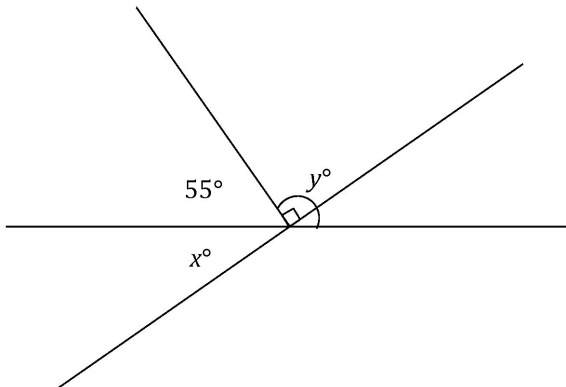
$x = \underline{\hspace{2cm}}$ $y = \underline{\hspace{2cm}}$

4.



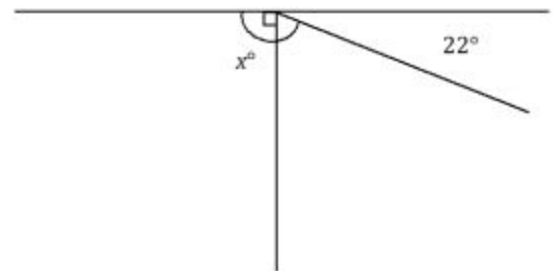
$x = \underline{\hspace{2cm}}$ $y = \underline{\hspace{2cm}}$

5.



$x = \underline{\hspace{2cm}}$ $y = \underline{\hspace{2cm}}$

6.



$x = \underline{\hspace{2cm}}$ $y = \underline{\hspace{2cm}}$